

Customer focused development

- spindles + slides
- plan-tables + instruments
- machines
- micro cutting technology



Double-sphere rotary bearings



The bearings in the DLL model series ess Mikromechanik GmbH provide users an absolutely tough productfamily.

The main area of application is mainly there, where high forces are in action.

Good emergency running characteristics and nearly an unlimited service life underlines the positive attributes of this type.

*Sturdy rotary bearings
with nearly unlimited
service life!*

Gewerbestraße 10
D-78333 Stockach-Windegg

Tel. +49 7771-8701-0
Fax +49 7771-8701-22

info@ess-mikromechanik.de
www.ess-mikromechanik.com

Technical data

Double-sphere rotation bearings
DLL 075 / DLL 100 / DLL 130 /
More on application
ess Mikromechanik GmbH

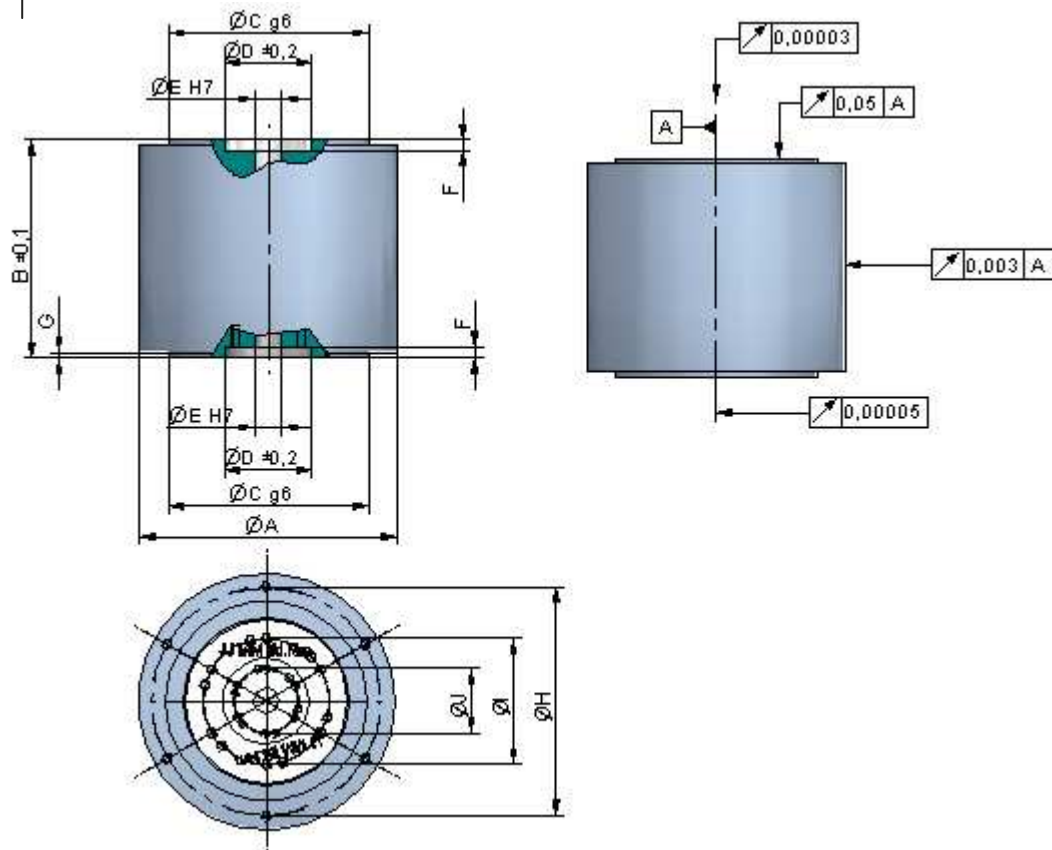
Measuring range
Measuring bearing
Operating pressure
Working temperature

360°
 air bearing
 Max. 5 bar
 15 till 35°C
 2 till 40°

Dimension table

Model versions

	A	B	C	D	E	F	G	H	H	I	I	J	J
DLL 075	118	100	92	40	20	5	2,5	105	M5	60	M5	30	M4
DLL 100	145	120	119	40	12	5	3	130	M6	164	M4	30	M4
DLL 130	206	164	60	15	5	5	2,5	188	M6	130	M4	30	M4



Various sizes

	Radial run-out accuracy in μm	Planless accuracy in μm	Capacity axial in N	Capacity radial in N	Dimension in mm
DLL 075	0,03	0,02	770	400	Ø118 x 100
DLL 100	0,03	0,02	900	900	Ø145 x 120
DLL 130	0,03	0,02	1250	1200	Ø206 x 164